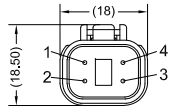


CHANGES FROM BASE PRODUCT BS-05DCX (4550) TO BS-05DCX-H (5296)

1. MALE DEUTSCH CONNECTOR REPLACE WITH MALE HIRSCHMANN CONNECTOR.
2. BS-05DCX CABLE LABEL REPLACE WITH BS-05DCX-H CABLE LABEL.
3. BS-05DCX GIFT BOX LABEL REPLACE WITH BS-05DCX-H GIFT BOX LABEL.

OPERATION: SAME AS BASE PRODUCT.

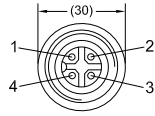
VIEW A



FEMALE MATING FACE

PIN	WIRE COLOUR	DESCRIPTION
1	BROWN	GND
2	GREEN	CAN HIGH (PAIR 1)
3	YELLOW	+12V
4	BLUE	CAN LOW (PAIR 1)

VIEW B

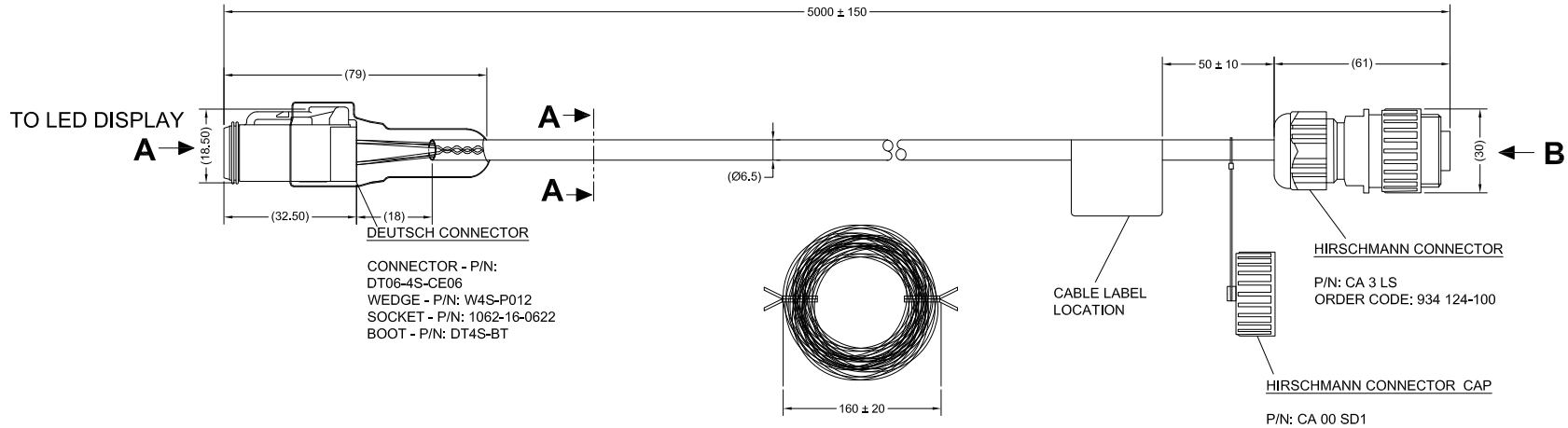
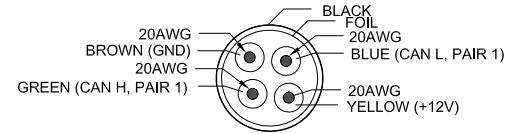


MALE MATING FACE

PIN	WIRE COLOUR	DESCRIPTION
1	GREEN	CAN HIGH (PAIR 1)
2	YELLOW	+12V
3	BLUE	CAN LOW (PAIR 1)
4	BROWN	GND

VIEW A-A

CABLE BUILDUP



CONNECTOR - P/N: DT06-4S-CE06
 WEDGE - P/N: W4S-P012
 SOCKET - P/N: 1062-16-0622
 BOOT - P/N: DT4S-BT

HIRSCHMANN CONNECTOR
 P/N: CA 3 LS
 ORDER CODE: 934 124-100
 HIRSCHMANN CONNECTOR CAP
 P/N: CA 00 SD1

NOTES:

1. FERRULES NEED TO BE CRIMPED ON TO THE CABLE BEFORE TERMINATED IN TO HIRSCHAMNN CONNECTOR.
2. CABLES SHOULD BE ONE CONTINUOUS LENGTH BETWEEN CONNECTORS.
3. FOR PACKING AND LABELING REFER TO MASTER BOM.
4. BLUE (CAN LOW) AND GREEN (CAN HIGH) WIRES ARE TWISTED TOGETHER.
5. TWISTED PAIR TWIST RATE IS 1 TURN PER 50-55MM.
6. BOOTS HAVE TIGHT FIT ON THE CABLE, BOOT MATERIAL STRETCHES TO CLAMP BY TENSION ON THE CABLE.
7. THE OUTSIDE CABLE INSULATION MUST END MINIMUM 20MM WITHIN THE BOOT.
8. ANY CUSTOMER MODIFICATION OF THIS PRODUCT CAUSING SUBSEQUENT FAILURE IS NOT A LIABILITY OF BRIGADE ELECTRONICS PLC.
9. HIRSCHMANN CONNECTOR CAP RETAINING CORD TO BE SLID OVER THE CABLE BEFORE HIRSCHMANN CONNECTOR TERMINATED.
10. HIRSCHMANN CONNECTOR AND CAP TO BE MATED TOGETHER FOR SHIPPING.

PROPRIETARY NOTICE

THIS DESIGN AND TECHNICAL INFORMATION APPEARING ON THIS DRAWING IS THE PROPERTY OF BRIGADE ELECTRONICS, AND IS DISCLOSED IN CONFIDENCE. IT IS NOT TO BE COPIED, REPRODUCED, REVEALED TO OR EXPROPRIATED BY OTHERS, EITHER IN WHOLE OR IN PART WITHOUT THE EXPRESS WRITTEN CONSENT OF BRIGADE ELECTRONICS.

BRIGADE[®]
 www.brigade-electronics.com

Assembly Pl Approval S.ATTWOOD 30/03/2017	Approved by B.CHILDS	Checked by D.RICHARDSON	Drawn by J.TYRRELL
Angle of Projection 	Units mm	Scale N/A	Released 31/03/17
	Status RELEASED	Assembly Ref BS-05DCX-H	
	Part No 5296	BE-003628-00-17	